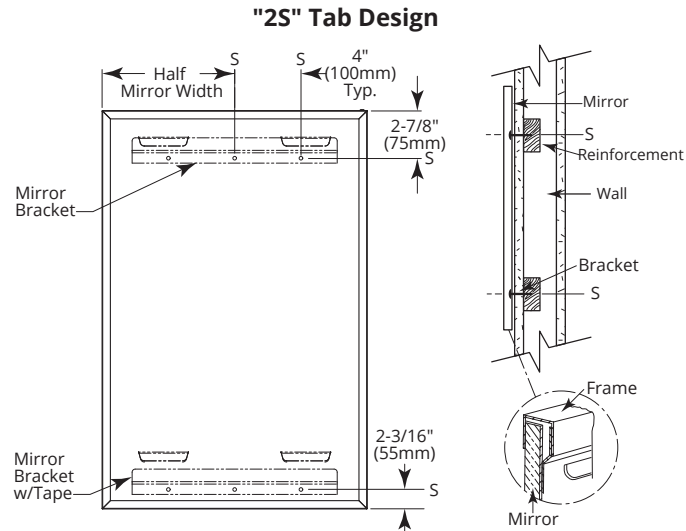


OPTIONS: Special reflective surfaces, add suffix:

- **-T** 1/4" tempered glass mirror
 - **-L** 1/4" laminated glass mirror
 - **-SS** 20 gauge 430 bright anneal stainless steel
- Custom sizes available



STANDARD C-SERIES MIRRORS

MODEL NO.	OVERALL SIZE	
	W	H
C-18 x 24	18" (46cm)	24" (61cm)
C-18 x 30	18" (46cm)	30" (76cm)
C-18 x 36	18" (46cm)	36" (91cm)
C-20 x 60	20" (51cm)	60" (152cm)
C-24 x 30	24" (61cm)	30" (76cm)
C-24 x 36	24" (61cm)	36" (91cm)
C-24 x 48	24" (61cm)	48" (122cm)

STANDARD C-SERIES MIRRORS

MODEL NO.	OVERALL SIZE	
	W	H
C-24 x 60	24" (61cm)	60" (152cm)
C-30 x 36	30" (76cm)	36" (91cm)
C-36 x 36	36" (91cm)	36" (91cm)
C-36 x 48	36" (91cm)	48" (122cm)
C-48 x 36	48" (122cm)	36" (91cm)
C-60 x 36	60" (152cm)	36" (91cm)
C-72 x 36	72" (183cm)	36" (91cm)

Note: Mirrors greater than 36" in width will have multiple hanger bracket pockets with a typical 8" off each edge

CONSTRUCTION:

Frame — 430 Bright anneal stainless steel, one piece roll formed angle is 1/2" x 1/2" x 3/8" (13 x 13 x 9.5mm) channel with 1/4" (6mm) return at rear for in stock models and 1/2" x 1/2" x 1/2" (13 x 13 x 13mm) for all other sizes. Mitered corners.

Back Panel "2S" Tab Design — fabricated of galvanized steel with slots formed to receive wall hanger tabs at the top (bottom slots will have no function for this application). The bottom hanger bracket has to stay clear of the back-panel's bottom slots. Shock absorbing material is placed between mirror and back panel.

Standard Mirror Glass — #1 quality, 1/4" (6mm) plate/float glass guaranteed against silver spoilage for 15 years. Meets and exceeds federal specifications DD-M-00411B & C. S. 27.

SPECIAL REFLECTIVE SURFACES:

These surfaces resist breakage and provide a measure of safety from broken glass, but differ in color and reflective quality from standard glass mirrors.

INSTALLATION:

Surface-mounted. Mirror installs on concealed vandal-resistant wall hangers. For the "2S" Tab Design, mirror installs on top wall hanger by engaging with the slots at the top. Mirror will engage with bottom hanger via double sided tape only. Bottom hanger bracket is to be positioned 1 - 1 1/2" above mirror's bottom edge and is not supposed to engage with the slots. See wall instructions to locate mirror wall hangers.

ADA GUIDE:

Access to mirrors should be 40" (1016mm) from bottom edge of reflective surface to the finish floor. Full length mirrors will accommodate all facilities.

Channel-Frame Mirrors shall be Model _____ C-Series (insert size) of Gamco Commercial Restroom Accessories, A Division of Bobrick Washroom Equipment, Inc., One Gamco Place, Durant, OK, 74701-1910