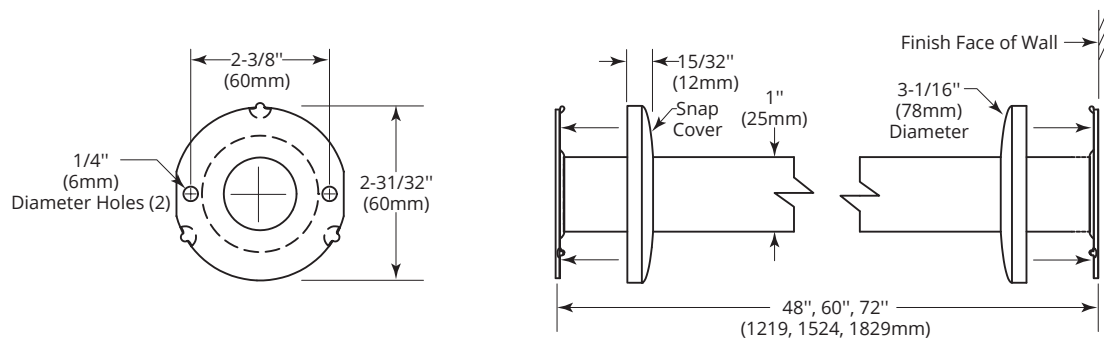
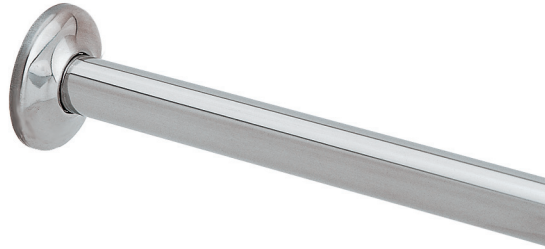


SR100C for 1" (25mm) stainless steel tubing with satin-finish



MATERIALS:

Curtain Rod - 18-gauge (1.2mm) type 304 stainless steel tubing.

Cover - 20-gauge (1mm) type 304 stainless steel with satin-finish. One piece formed flange.

Wall Bracket - 14-gauge (2mm) type 304 stainless steel. One piece formed bracket. Wall brackets are welded to curtain rod.

INSTALLATION:

Position rod with covers between the walls and secure with screws and plastic wall anchors (not provided). Slide the covers toward wall brackets and snap onto wall brackets. Backing is recommended behind all mounting surfaces. For plaster or drywall construction, provide backing to comply with local building codes. For other wall surfaces, expansion shields for use with sheet metal screws (not provided), or provide 1/8" (3mm) toggle bolts or expansion bolts.

Concealed Shower Rod shall be Model _____ (insert model number) of Gamco Commercial Restroom Accessories, A Division of Bobrick Washroom Equipment, Inc., A Division of Bobrick, One Gamco Place, Durant, OK, 74701-1910