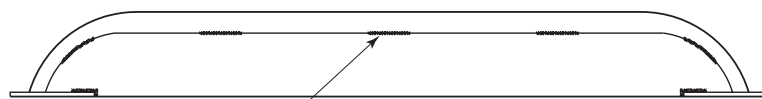
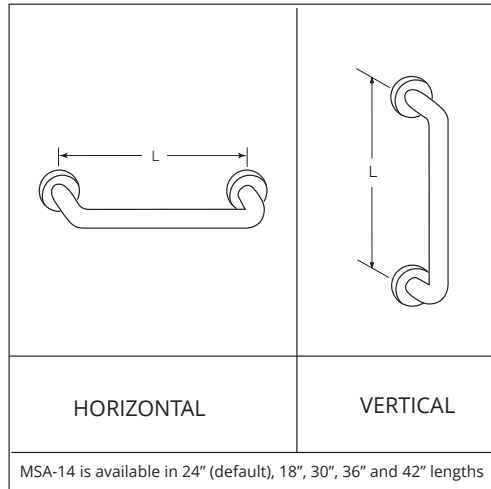


Top View

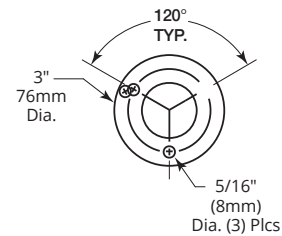
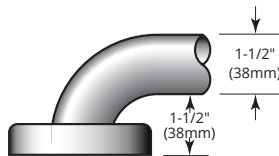


Closure plate is welded on intervals to allow permanent attachment and provide drainage for water

Bottom View



Exposed Flange



CONSTRUCTION:

Bar - 12-gauge (2mm) stainless steel closure plate welded to grab bar to prevent tying material around grab bar. Grab bar is straight 1-1/2" W x 24" H (38 x 610mm). Closure plate is welded on intervals to allow permanent attachment and provide drainage for water.

Tubing - fabricated of type 304 18-gauge (1.24mm) stainless steel with satin-finish.

Exposed Flange - 10-gauge (3mm) type 304 stainless steel, 3" (76mm) diameter with (3) countersunk mounting holes. Flanges and center posts are welded to tubing.

MOUNTING:

Clearance is distance between finished wall surface and inner edge of tubing. Standard clearance furnished is 1-1/2" (38mm). Required mounting height is 33" to 36" (838 to 914mm) from center-line of grab bar to finish floor.

SPECIFICATIONS:

Grab bars designed and tested to withstand 1300 lbs. downward pull when properly installed. Exceeds HUD, HEW, FHA, VA, and other federal, state, and local codes, including the Americans with Disabilities Act (ADA).

NOTES:

Other lengths available in 1-1/2" (38mm) diameter with exposed flange only. 1-1/4" (32mm) diameter MSA bars not available.

Maximum Security Grab Bar shall be Model MSA-14 of Gamco Commercial Restroom Accessories, A Division of Bobrick Washroom Equipment, Inc., One Gamco Place, Durant, OK, 74701-1910