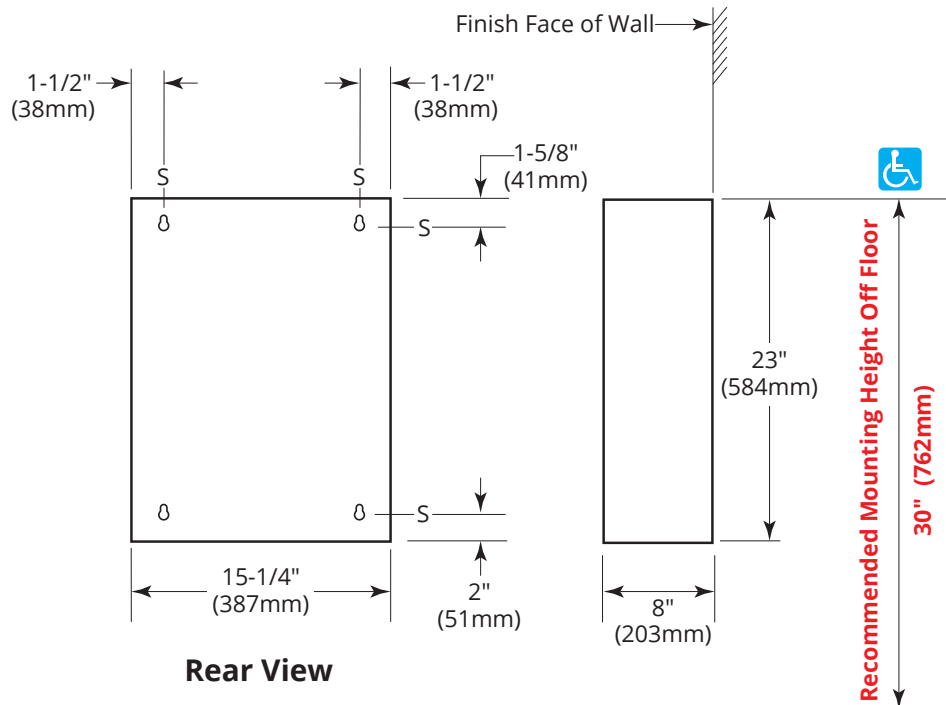


**AVAILABLE SIZE**

Model No.	Capacity	Length	Width	Height
WR-14	12-gallon 45.4-L	15-1/4" 387mm	8" 203mm	23" 584mm



**CONSTRUCTION:**

Unit fabricated of type 304 22-gauge (0.8mm) stainless steel. All welded construction with exposed surfaces having a #4 satin-finish. Hemmed top and bottom edges for safety. Keyholes in rear allow for easy installation.

**INSTALLATION:**

Mount unit on wall with four sheet-metal screws (not furnished) at points indicated by an S. For plaster or dry wall construction, provide concealed backing to comply with local building codes, then secure unit with sheet-metal screws. For other wall surfaces, provide fiber plugs or expansion shields for use with sheet-metal screws, or provide 1/8" (3mm) toggle bolts or expansion bolts.

**Surface-Mounted Waste Receptacle shall be Model \_\_\_\_\_ (insert model number) of Gamco Commercial Restroom Accessories, A Division of Bobrick Washroom Equipment, Inc., One Gamco Place, Durant, OK, 74701-1910**